


HIGH END SYSTEM WINDOWS AND DOORS



 **ANJIA WINDOW AND DOOR**

Sliding Window



120 SERIES

THERMAL BREAK ALUMINUM SLIDING WINDOW WITH NET

Product configuration :

120 thermal break aluminum series when making windows:

fan width: 500mm-1500mm

fan height: 800mm-1500mm

Maximum fan weight: 60kg

120 thermal break aluminum series when making doors:

fan width: 600mm-1200mm

fan height: 1800mm-2400mm

Maximum fan load: 80kg

Glass: 5mm+20A+5mm double tempered insulating glass

Grills: normal square grid strips (20A hollow)

Blinds: magnetic blinds

Basic parameters:



Thermal insulation coefficient:
Uw2.6W/m2K



Wind pressure resistance coefficient:
±2500Pa



Water tightness coefficient:
+400Pa



Air tightness coefficient:
Level 4

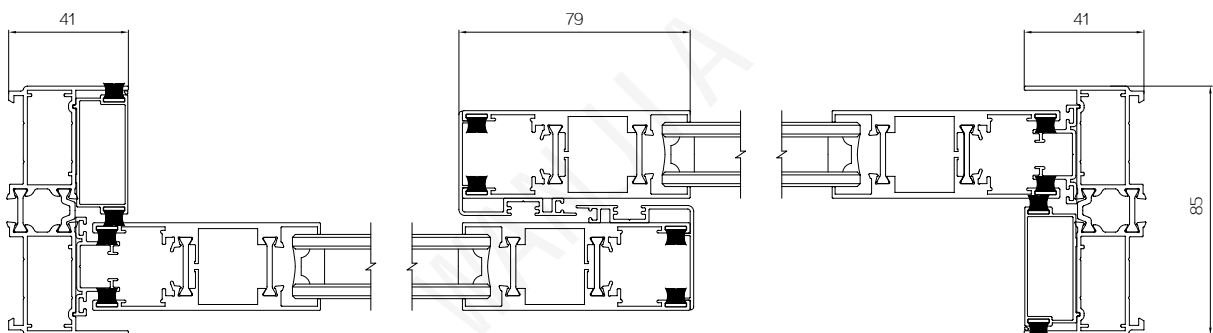
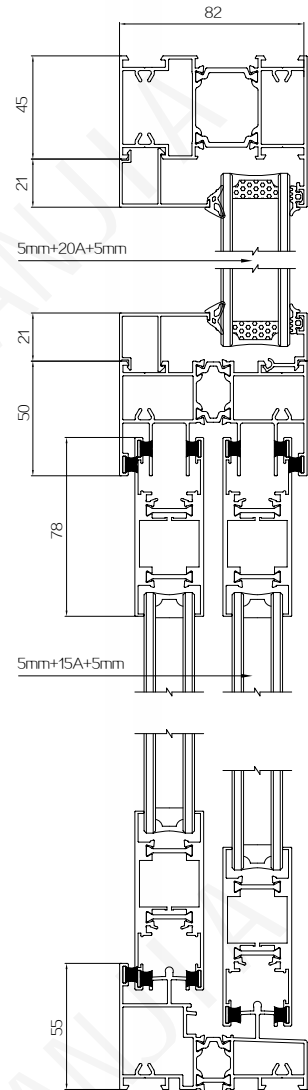


Sound insulation coefficient:
Rw up to 30dB

Product description:

1. Material design adopts European standard notch to meet the versatility of accessories on the market.
2. Double-layer (5+20A+5) fully sealed hollow automotive-grade safety glass, double-layer sealing, better sealing; can effectively reduce the resonance effect of sound waves, and has good sound insulation and heat insulation effects.
3. High safety performance, single-sided one-word multi-point lock structure design, can be equipped with double-sided locks to achieve good anti-theft effect.
4. Hollow glass can be freely equipped with magnetically controlled hollow shutters to achieve two-way selection of lighting and sunshading.

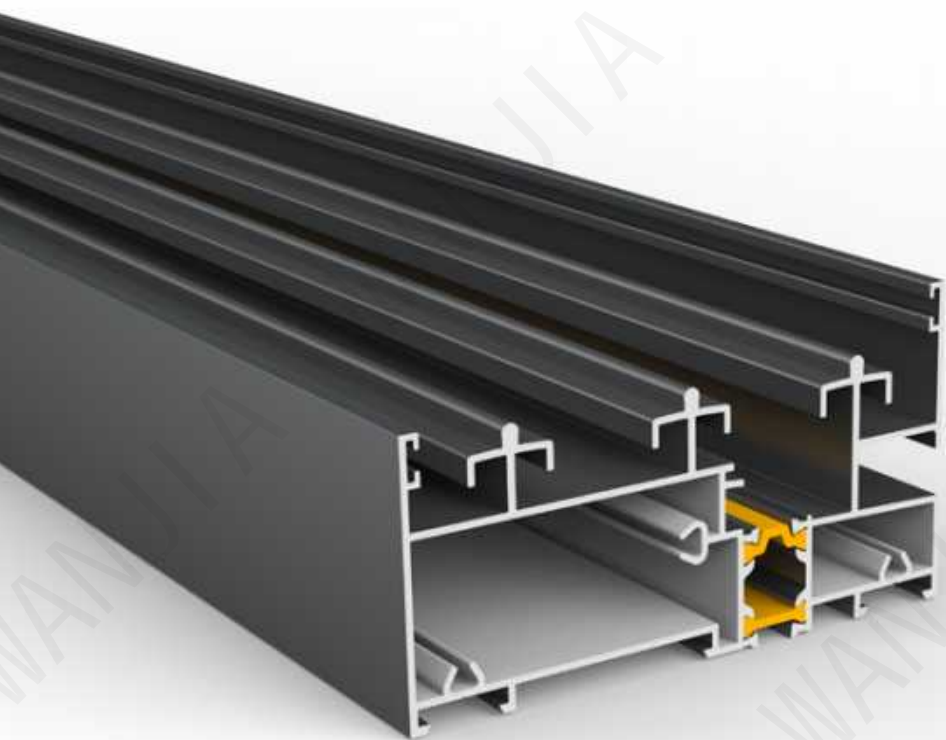
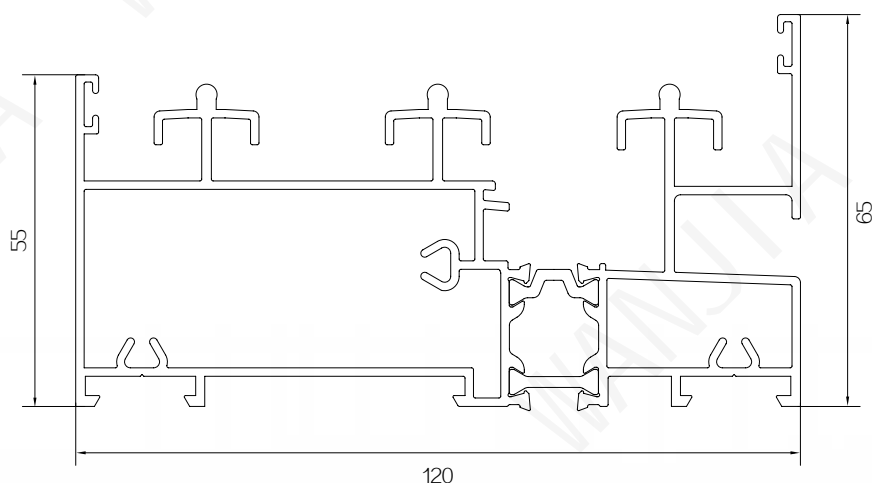
120 SERIES THERMAL BREAK ALUMINUM SLIDING WINDOW WITH NET



120

SERIES
THERMAL BREAK ALUMINUM
SLIDING WINDOW WITH NET

Optional lower rail:





SAFE AND PRACTICAL

When opening a sliding window, the sash does not occupy indoor space and the faucet will not affect the ventilation of the window. More items can be placed on the windowsill with peace of mind, and there is no need to worry about being injured by the window corners when getting up or looking up. It is safe and practical!



HAVE YOU ENCOUNTERED THIS KIND OF TROUBLE WHEN OPENING WINDOWS AT HOME?

When opening a window, you are always hindered by the curtains. The sliding window effectively avoids the impact of opening the window on the interior, and does not affect the use of curtains or clothes hangers. It has excellent sound insulation, heat insulation, and sealing effects, and it is simple and beautiful. It's very suitable for use at home!

